



**Nutzfahrzeuge**

## Body assembly guidelines Volkswagen Nutzfahrzeuge

### The Crafter

The following pages contain technical guidelines for custom body manufacturers/ coachwork specialists for construction and assembly of custom body-related parts and conversions.

The body assembly guidelines should be strictly adhered to if modifications are made with the intention of doing so.

Included in the Volkswagen body assembly guidelines are also the body dimension plans for our commercial vehicles Crafter, Transporter T4 and T5, Caddy and LT. These can be installed in 3 formats (TIF, DXF, IGES) for CAD programs and as PDF files.

Advice: If further technical queries about the series production vehicle arise over and beyond these guidelines, please contact your local conversion expert at your importer.

Volkswagen Nutzfahrzeuge  
Brieffach 2965/5  
Postfach 21 05 80  
D - 30405 Hannover  
Fax. +49 (0)511 / 7 98 - 85 00

Online contact: <http://www.vwn-aufbaurichtlinien.de/de/kontaktformular>

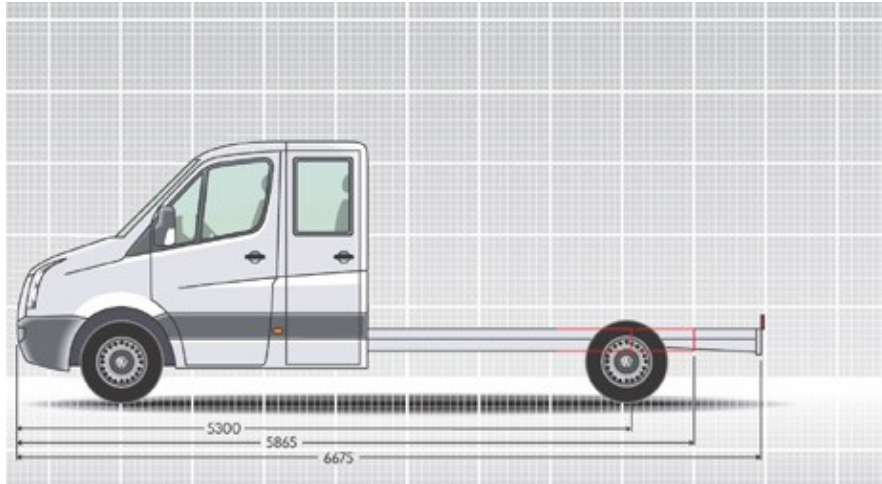
Note: Subject to errors and technical amendments. The electronic version of the body guidelines is the decisive source of up-to-date data on body guidelines

<http://www.vwn-aufbaurichtlinien.de>

Data status Oktober 2009



## 5.10 Chassis with twin cab and single tyres, medium wheelbase



The individual dimensional drawings are in formats DXF, IGES and TIF. All files are packed in a zip archive. The files can be unpacked using Winzip (PC) or Ziplt (MAC).

Click on the link in question to save the selected file directly to your computer. You can then view and print out the dimension drawing using appropriate software (e.g. CAD system).

### Designation Construction dimensional drawing

Wheelbase 3.665 mm

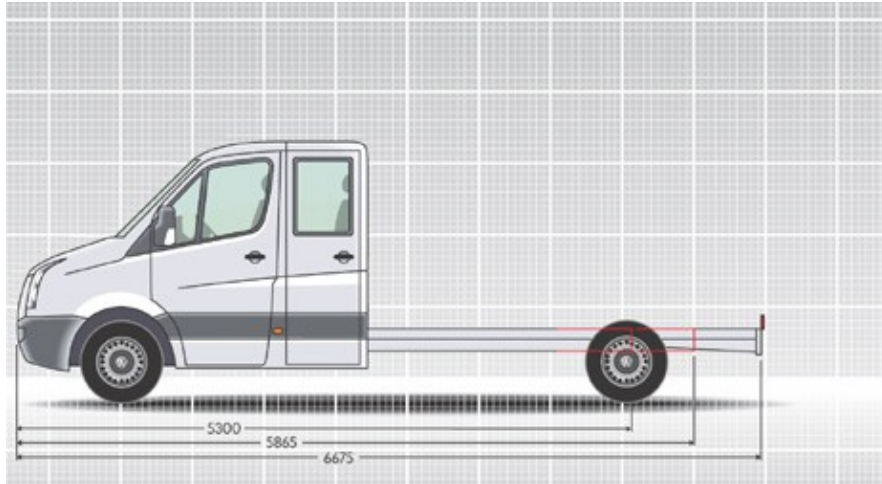
TIF [2E3 000 011 D](#), 384 kB

DXF [2E3 000 011 D](#), 800 kB

IGES [2E3 000 011 D](#), 936 kB

**Note:** Subject to errors and technical amendments. The electronic version of the body guidelines is the decisive source of up-to-date data on body guidelines (online body guidelines). Data status August 2007

## 5.11 Chassis with twin cab and single tyres, long wheelbase



The individual dimensional drawings are in formats DXF, IGES and TIF. All files are packed in a zip archive. The files can be unpacked using Winzip (PC) or Ziplt (MAC).

Click on the link in question to save the selected file directly to your computer. You can then view and print out the dimension drawing using appropriate software (e.g. CAD system).

### Designation Construction dimensional drawing

Wheelbase 4.325 mm

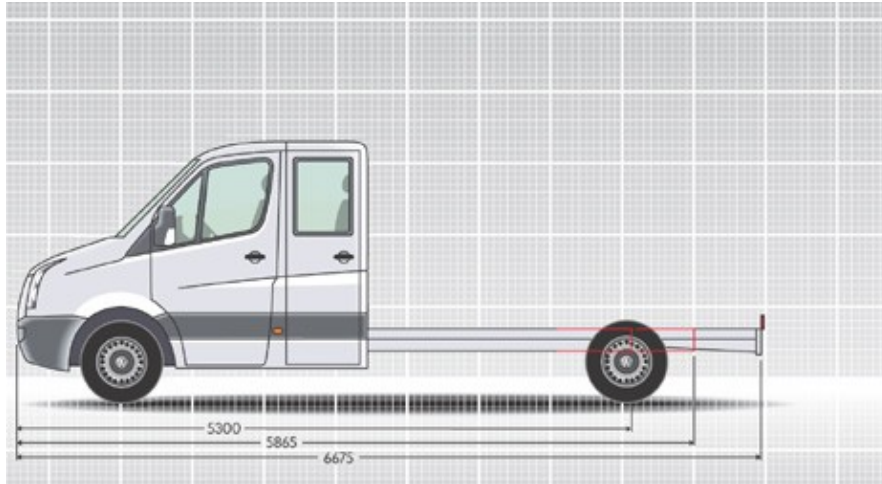
TIF [2E3 000 011 E](#), 368 kB

DXF [2E3 000 011 E](#), 696 kB

IGES [2E3 000 011 E](#), 800 kB

**Note:** Subject to errors and technical amendments. The electronic version of the body guidelines is the decisive source of up-to-date data on body guidelines (online body guidelines). Data status August 2007

## 5.12 Chassis with twin cab and twin tyres, medium wheelbase



The individual dimensional drawings are in formats DXF, IGES and TIF. All files are packed in a zip archive. The files can be unpacked using Winzip (PC) or Ziplt (MAC).

Click on the link in question to save the selected file directly to your computer. You can then view and print out the dimension drawing using appropriate software (e.g. CAD system).

### Designation Construction dimensional drawing

Wheelbase 3.665 mm

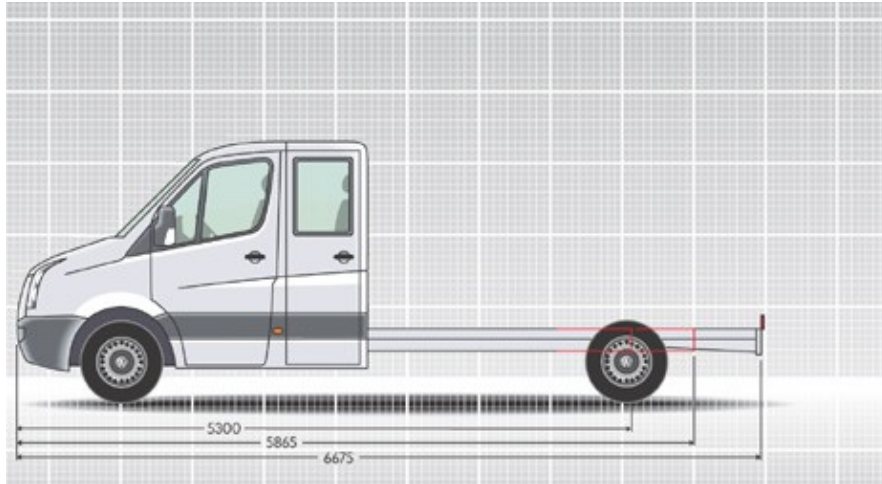
TIF [2E3 000 011 L](#), 384 kB

DXF [2E3 000 011 L](#), 872 kB

IGES [2E3 000 011 L](#), 976 kB

**Note:** Subject to errors and technical amendments. The electronic version of the body guidelines is the decisive source of up-to-date data on body guidelines (online body guidelines). Data status August 2007

## 5.13 Chassis with twin cab and twin tyres, long wheelbase



The individual dimensional drawings are in formats DXF, IGES and TIF. All files are packed in a zip archive. The files can be unpacked using Winzip (PC) or Ziplt (MAC).

Click on the link in question to save the selected file directly to your computer. You can then view and print out the dimension drawing using appropriate software (e.g. CAD system).

### Designation Construction dimensional drawing

Wheelbase 4.325 mm

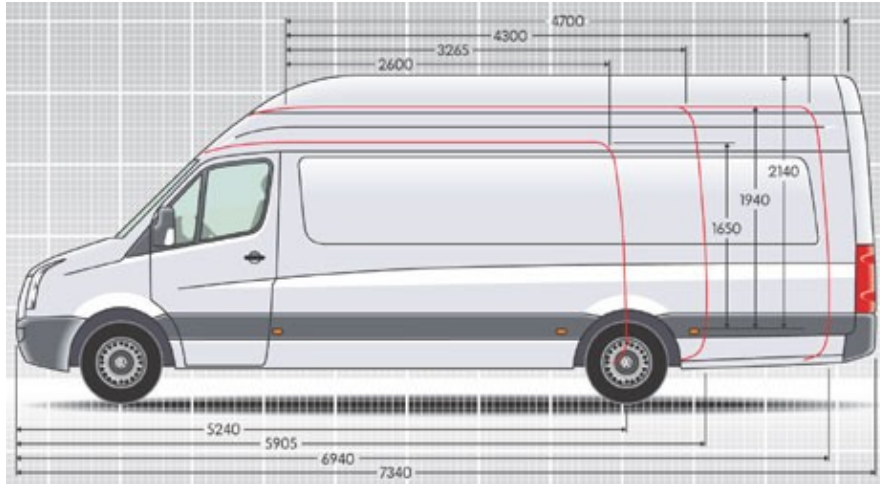
TIF [2E3 000 011 M](#), 376 kB

DXF [2E3 000 011 M](#), 760 kB

IGES [2E3 000 011 M](#), 856 kB

**Note:** Subject to errors and technical amendments. The electronic version of the body guidelines is the decisive source of up-to-date data on body guidelines (online body guidelines). Data status August 2007

## 5.2 Medium wheelbase box van



The individual dimensional drawings are in formats DXF, IGES and TIF. All files are packed in a zip archive. The files can be unpacked using Winzip (PC) or Ziplt (MAC).

Click on the link in question to save the selected file directly to your computer. You can then view and print out the dimension drawing using appropriate software (e.g. CAD system).

### Designation Construction dimensional drawing

Wheelbase 3.665 mm

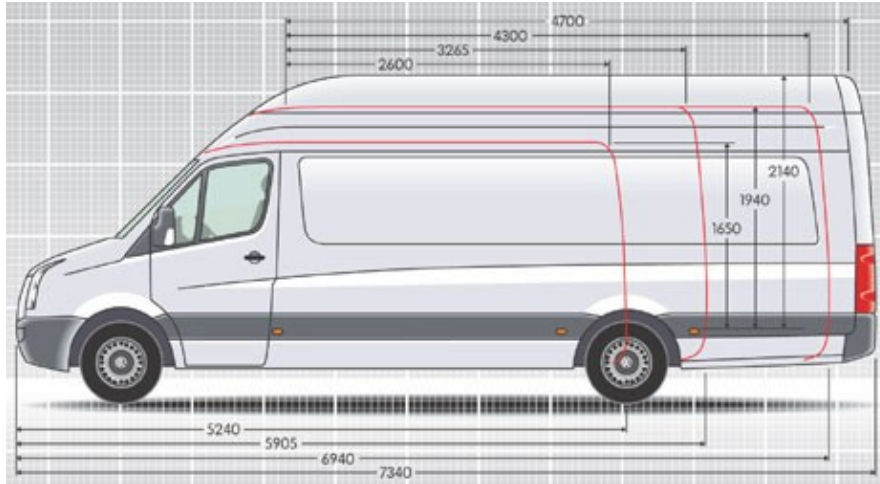
TIF [2E1 000 011 A](#), 640 kB

DXF [2E1 000 011 A](#), 776 kB

IGES [2E1 000 011 A](#), 736 kB

**Note:** Subject to errors and technical amendments. The electronic version of the body guidelines is the decisive source of up-to-date data on body guidelines (online body guidelines). Data status August 2007

## 5.3 Long wheelbase box van



The individual dimensional drawings are in formats DXF, IGES and TIF. All files are packed in a zip archive. The files can be unpacked using Winzip (PC) or Ziplt (MAC).

Click on the link in question to save the selected file directly to your computer. You can then view and print out the dimension drawing using appropriate software (e.g. CAD system).

### Designation Construction dimensional drawing

Wheelbase 4.325 mm

TIF [2E1 000 011 B](#), 648 kB

DXF [2E1 000 011 B](#), 832 kB

IGES [2E1 000 011 B](#), 792 kB

**Note:** Subject to errors and technical amendments. The electronic version of the body guidelines is the decisive source of up-to-date data on body guidelines (online body guidelines). Data status August 2007











